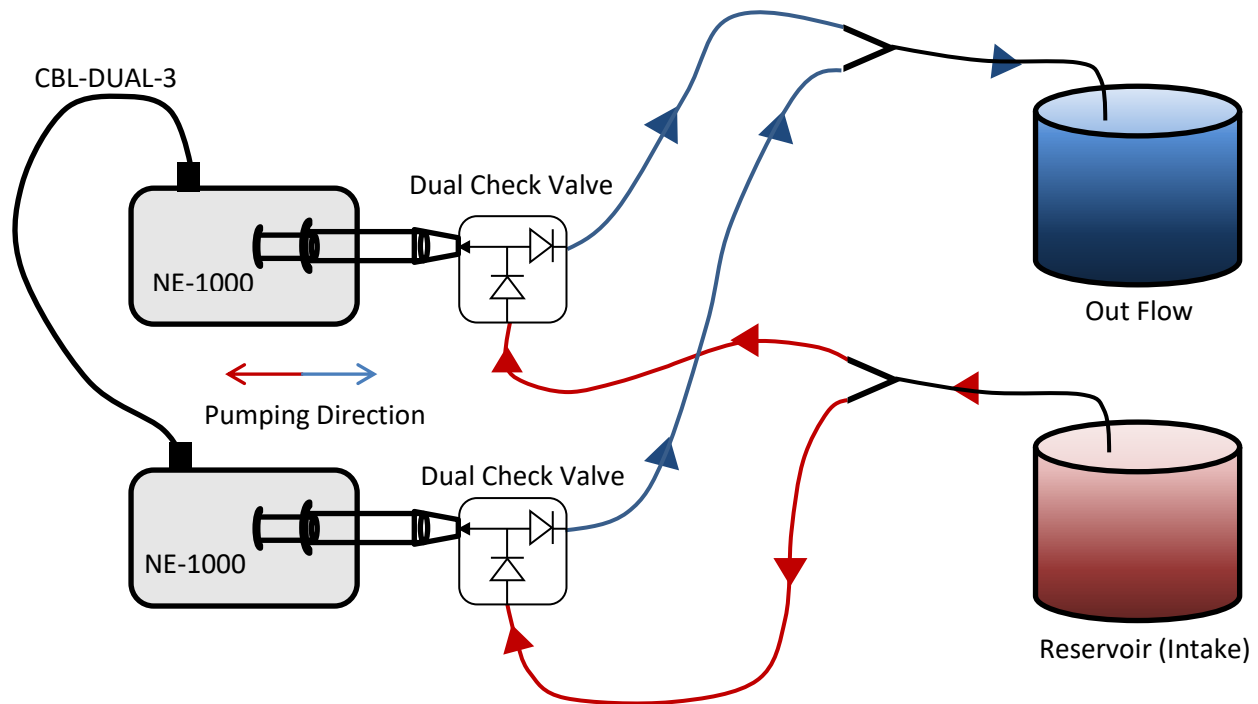


# Model: P-DKIT

Dual Pump Plumbing Kit

Functional Description

[www.SyringePump.com](http://www.SyringePump.com)



## P-DKIT Includes:

- (2) Dual Check valves
- (2) 50 mL NormJect® syringes
- (2) "Y" Connectors
- Assembled with 0.125" ID PVC tubing:  
6" connects the valves to the "Y" connectors, 5' to connect to your reservoir and out flow

- Withdraw pulls fluid from a reservoir
- Infusion out flows to a separate line
- Comes pre-assembled: Just attach the syringes
- Parts can be purchased individually

NE-1000 syringe pumps and synchronization cable CBL-DUAL-3 available separately.