

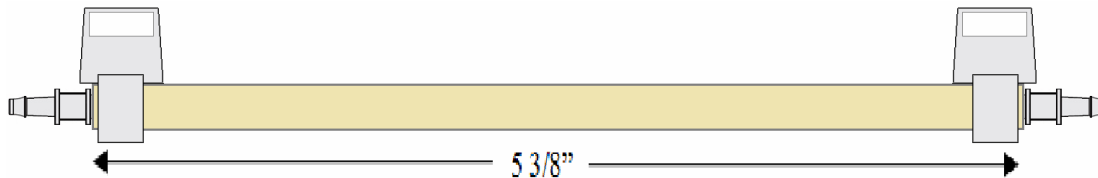
Model NE-9000-G1/16" Peristaltic Pump Head Setup

PERI-HEAD-KIT-YG4 installation Manual

1. Install Tubing onto Pump Head

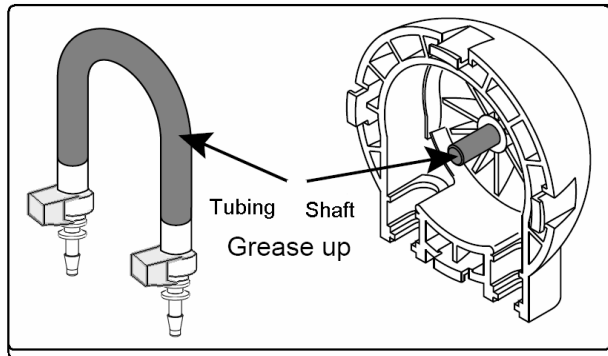
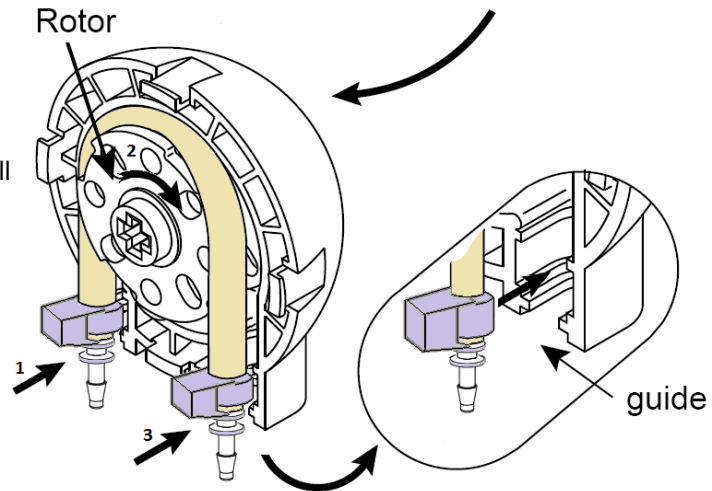
1.1. Prepare New Tubing

- Cut tubing to 5 3/8" (136mm)
- Insert 2 couplers into the ends of the tubing.
- Wrap 2 tie wraps on the ends of the tubing. Position wrap knots facing the same direction



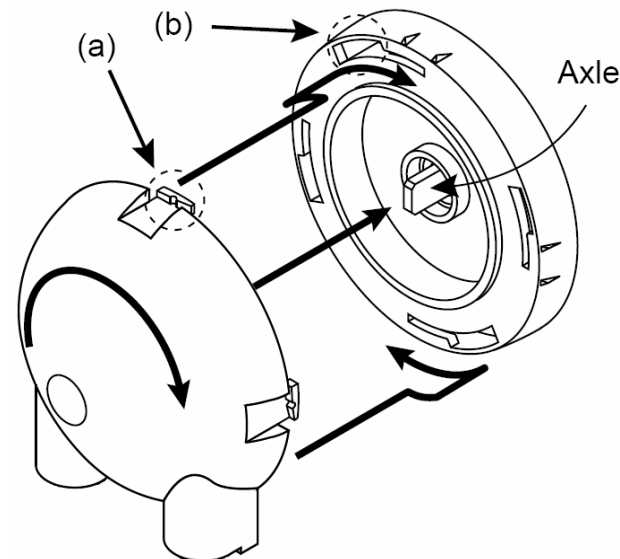
1.2. Install New Tubing

- Remove Rotor.
- Add grease to the Cassette shaft and the surface of New Tubing (See gray area below).
- Return Rotor to shaft of Cassette.
- With both knots of the tubing facing as shown, install one knot into the guide.
- Pull out the Rotor a little bit.
- Rotate Rotor away from installed knot, and place tubing between the Cassette and the Roller.
- Install the other knot into the guide.



1.3. Install Cassette onto Base

- Rotate Rotor so that it fits into axle.
- Attach Cassette onto Base of Pump by placing (a) into (b).
- Turn Cassette clockwise until it stops.
- Verify that each indent of the Cassette is matched perfectly with each marking on the Base of the Pump.
- Prime Pump before Starting Dispense Cycle.



Warning: Be careful not to be injured by the edge of the Pump parts.

2. Set Tubing Inside Diameter Setting

The default tubing inside diameter (ID) is 3/16.

2.1. To change the tubing inside diameter, enter Diameter Setting mode:

While **turning on power**, press and hold the 'DIAMETER' key until the display shows:

The LCD display shows the characters 'DI A' in a simple, blocky font.

Press the 'DIAMETER' key again to select. The display will show the current diameter and the "inches" units LED will blink. While the units LED is blinking, press the up-arrow keys to enter the new diameter. To enter 1/16" id tubing, press the up-arrow keys to change the display to:

The LCD display shows the number '0.16' with a colon and a dot between the '0' and '1', indicating a decimal value.

Press the 'LEARN' key, or wait for the time out to enter the new setting. The tubing diameter will now be set to the new setting. The new diameter will be used as the current calibration setting.

3. PERI-HEAD-KIT-YG4 Kit Includes:

- 4 Roller, Green Peristaltic Pump Head.
- Tubing assembly with:
 - PharMed® Tubing Tubing 1/16"ID x 3/16"OD x 1/16" Wall
 - 2 High Density Polypropylene (HDPE) 3/32" to 1/16" Barbed Reduction Couplers
 - 2 Triangular shaped, tabs extending, Clamp Ties.
 - 3 1/2ft. of additional tubing.
- 2 extra triangular shaped, tabs extending, Clamp Ties.
- 2 extra (HDPE) 3/32" to 1/16" Barbed Reduction Couplers
- Vial of SUPER LUBE® multi-purpose grease with PTFE
- Instruction Sheet.



It is the user's responsibility to ensure the safety and suitability of this product for all intended uses.